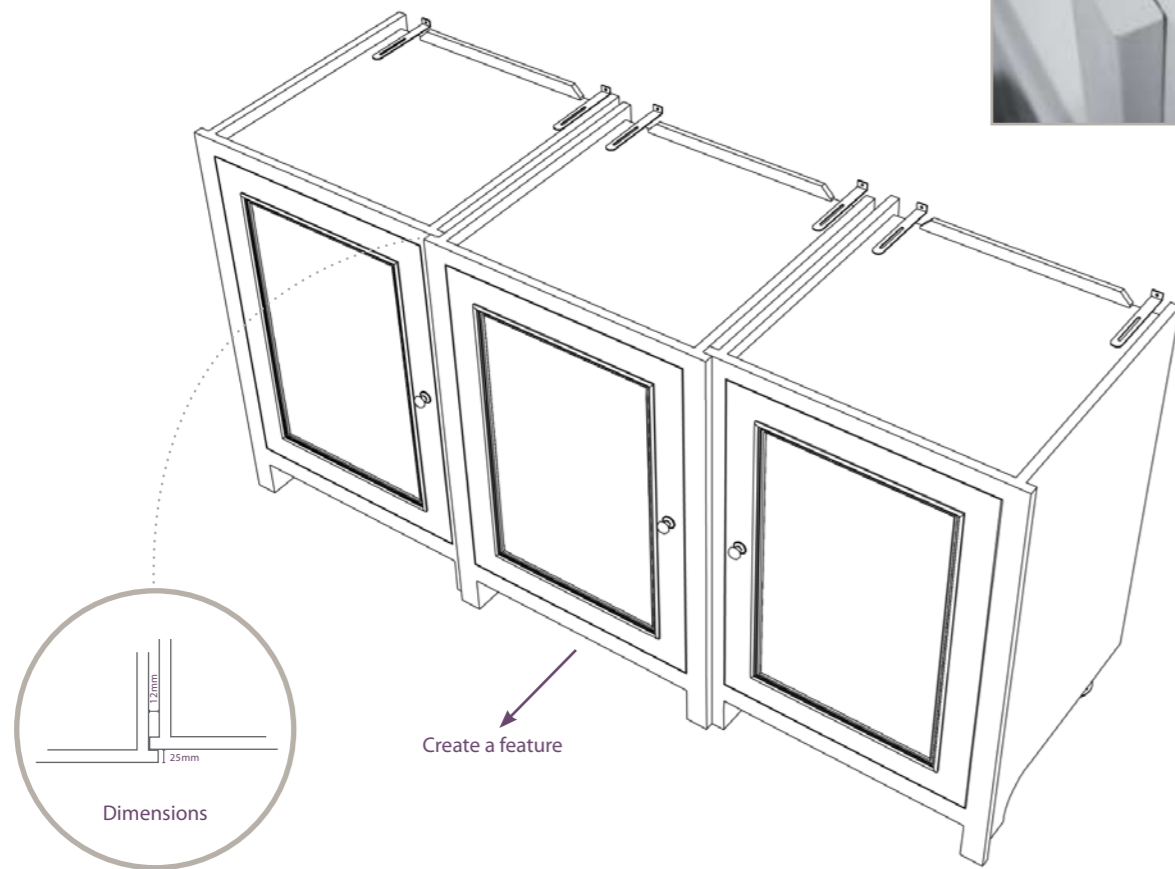
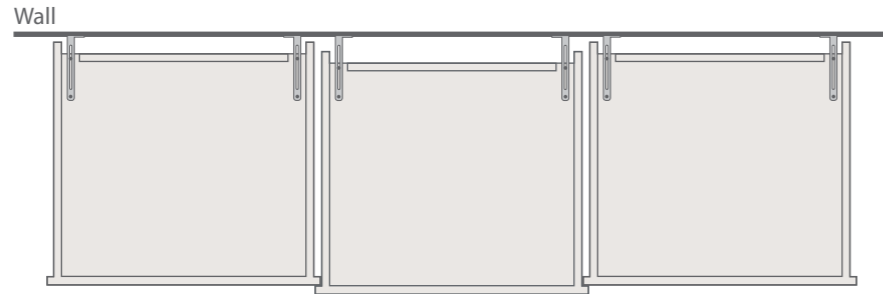


Cabinet Joining - Offset

A key feature of the Dorchester kitchen is the ability to form an overlap. When designing a kitchen we use this to emphasise a feature, such as a sink or a grand chest kitchen piece.

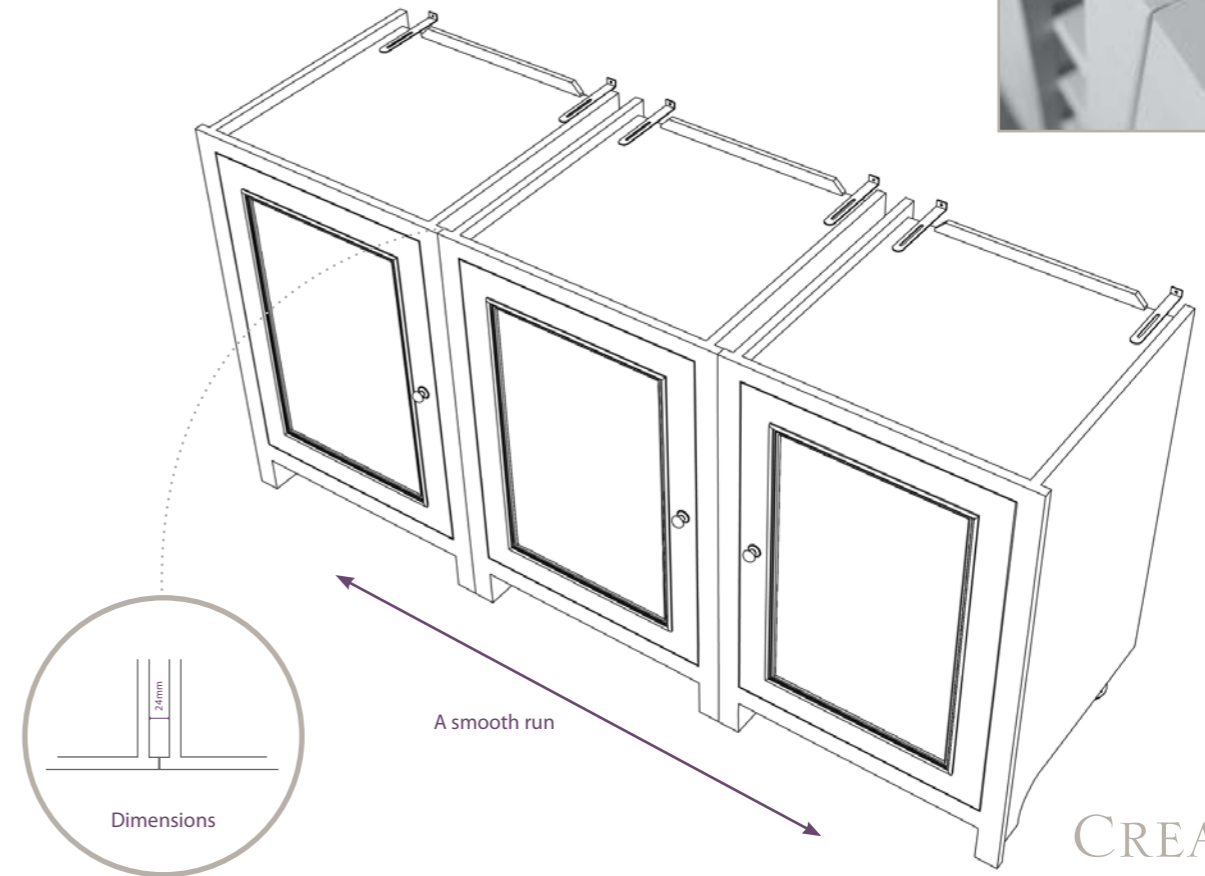
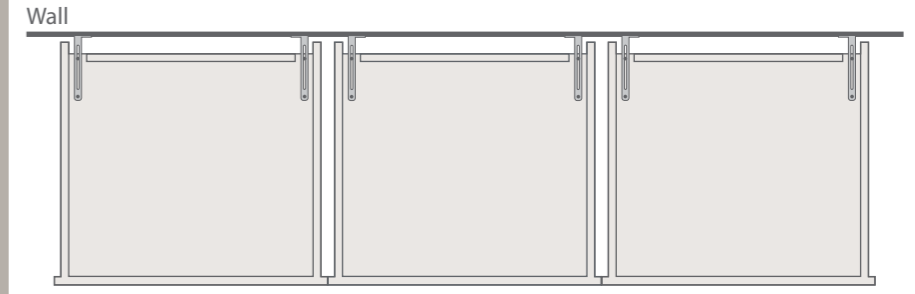
This also provides additional functionality, so if you require a larger void for a main drain or if there is not quite enough space in the cabinet run for the items you have chosen, each overlap that you incorporate will provide an additional 12mm of space.



Cabinet Joining - Flush

Alternatively you can set flush for a cleaner more modern look. Choose from one of our more modern monochrome paints to emphasise this look... you can even bring the kicker plate forward to emphasise the flush look and fit with our smallest chrome knobs.

A 2mm bevel on the edge of each cabinet gives a neat v-groove finish between cabinets. Where your cabinets meet a wall the 12mm lip can be scribed to exactly fit any variations in the wall shape.



CREATE
your own style...